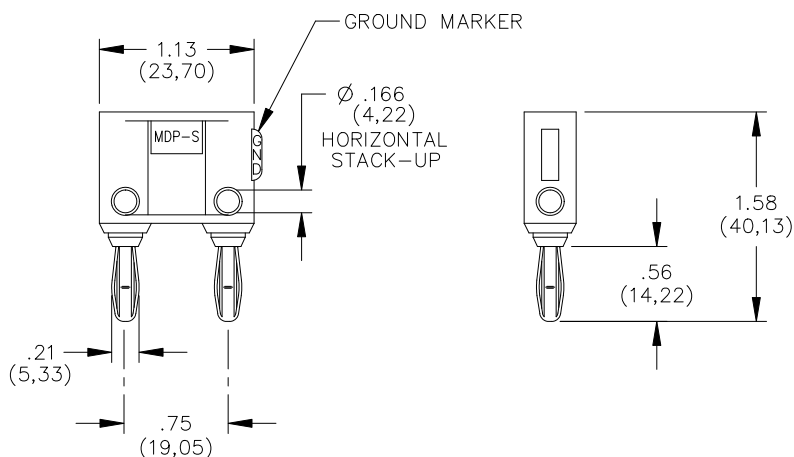
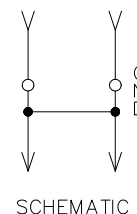
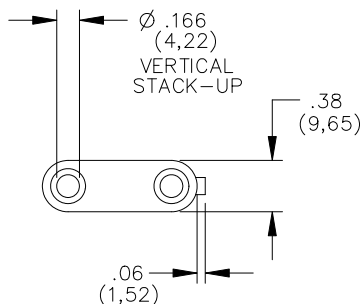


Model MDP-S
Double Banana Plug with Shorting Bar, Stackable



Model MDP-S
Double Banana Plug with
Shorting Bar, Stackable



Features

- Banana plugs are internally shorted with #18 AWG wire.
- Banana plugs can be vertically and horizontally stacked for test versatility.
- Banana plug springs are Nickel Plated, Beryllium Copper for long insertion cycle life.

Materials

- Banana Jacks:* Brass, Nickel Plated
Banana Plugs:
 Body: Brass, Nickel Plated
 Spring: Beryllium Copper, Nickel Plated
Insulation: Polypropylene
 Marking: "MDP-S, POMONA ELECTRONICS
 CO, INC. POMONA CALIFORNIA"
 "SHORTING BAR"

Specifications

- Operating Voltage:**
 Hands free usage in controlled voltage environments: 5000 Vrms maximum.
For CE compliance: not intended for hand-held use at voltages above 33 Vrms/70 Vdc.
Operating Temperature: +50°C (+122°F) Max.
Current: 15 Amperes

Ordering Information

- Model:** MDP-S-Color
Colors = 0 (Black), 2 (Red), 9 (White)

Ordering Example: MDP-S-2 (Double Banana Plug with Red insulation)

USA: Sales: 800-490-2361
 Technical Support: technicalsupport@pomonatest.com
 Fax: 425-446-5844
Europe: 31-(0) 40 2675 150 **International:** 425-446-5500
Where to Buy: www.pomonaelectronics.com

All dimensions are in inches. Tolerances (except noted): .xx = ±.02" (.51 mm), .xxx = ±.005" (.127 mm). All specifications are to the latest revisions. Specifications are subject to change without notice. Registered trademarks are the property of their respective companies.

Mouser Electronics

Authorized Distributor

Click to View Pricing, Inventory, Delivery & Lifecycle Information:

Pomona:

[MDP-S-9](#) [MDP-S-0](#) [MDP-S-2](#)