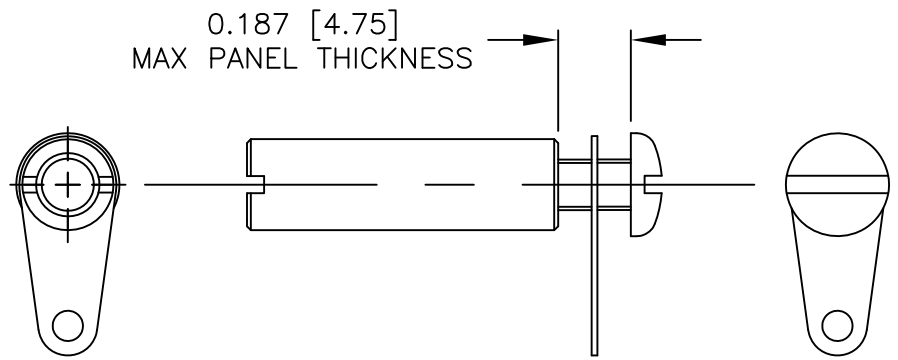
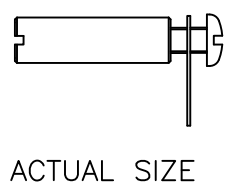
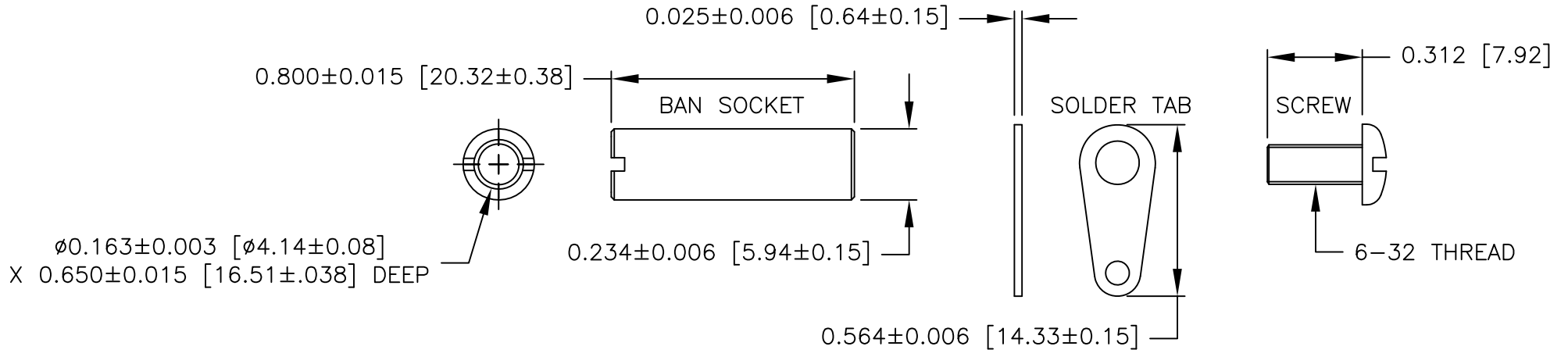


NOTES: UNLESS OTHERWISE SPECIFIED

- 1. MATERIAL:
- SOCKET: NICKEL PLATED BRASS
- HARDWARE: STAINLESS STEEL SCREW. TIN PLATED BRASS SOLDER LUG

LTR	REVISIONS		
	DESCRIPTION	DATE	APPROVED



		UNLESS OTHERWISE SPECIFIED DIMENSIONS ARE IN INCHES TOLERANCES ARE: FRACTIONS DECIMALS ANGLES ± N/A .XX ± N/A ± N/A .XXX ± .032	CONTRACT NO.		E-Z-HOOK DIVISION OF TEKTEST INC. ARCADIA, CA 91006 U.S.A.			
			APPROVALS	DATE				
		MATERIAL SEE NOTE.	DRAWN	S.B.W.	STD BANANA JACK WITH FEMALE 6-32 THREAD			REV.
			APPROVED BY			SIZE	CODE IDENT NO.	DRAWING NO.
		FINISH SEE NOTE.			A	08505	8206	
NEXT ASSY	USED ON					SCALE	2:1	
APPLICATION		DO NOT SCALE DRAWING						SHEET 1 OF 1

THE INFORMATION CONTAINED IN THIS DOCUMENT IS PROPRIETARY TO E-Z-HOOK. THE INFORMATION IS NOT TO BE REPRODUCED WITHOUT PRIOR WRITTEN PERMISSION OF E-Z-HOOK, DIV. OF TEKTEST INC. MAXIMUM TESTED RATINGS IN A HANDS-FREE CONTROLLED ENVIRONMENT. MAXIMUM RATINGS ARE NOT TO BE USED CONCURRENTLY.