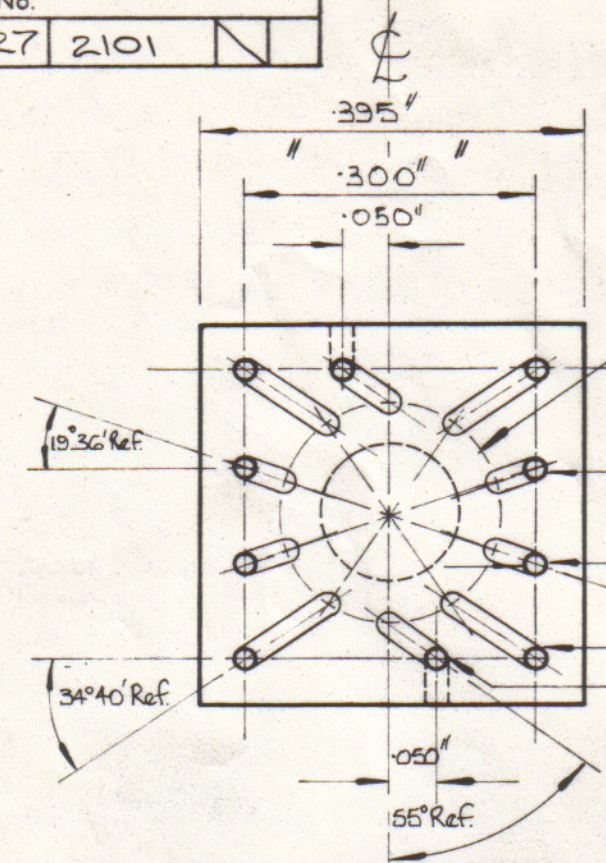
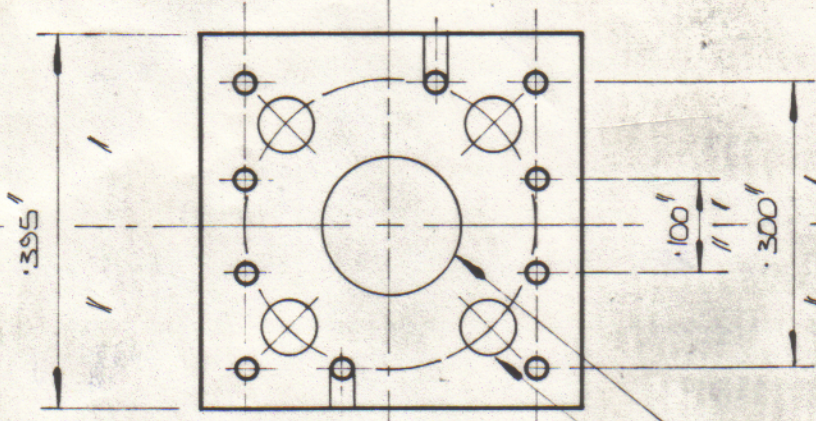
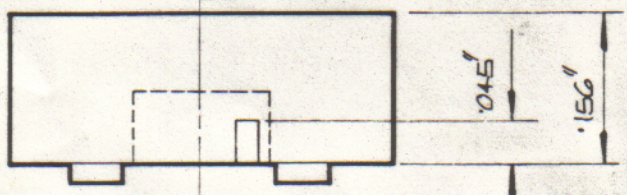
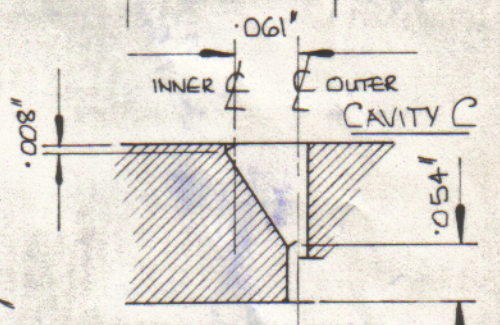
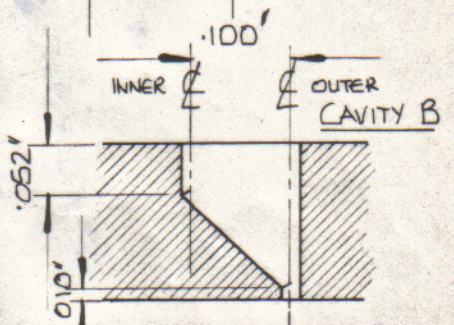
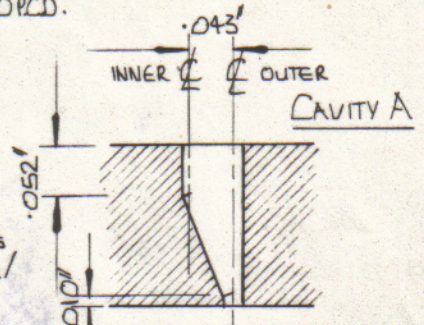


Type No	Ref No	Material
Mon 10LF	J27-2101	A 1406
X27-2083	X27-2083	A 1412



Inner centre lines of all cavities spaced on a .230" P.C.D.



Recess .150" Diameter x .078" Deep.

4 Feet .050" Diameter x .022" Deep on .300" P.C.D.

DATE	ISS.	REVISION	SIG.
14.1.77	A	MATERIAL AMENDED	AF
15.3.78	B	DRG No was A1072-02 Ref P+N added.	EM

MATERIAL		FINISH	
_____		Natural.	
TOLERANCE		DRAWN	AF
± .005" U.O.S.		TRACED	_____
SCALE: 5:1		CHECKED	_____
DIMS. Inches		DATE	30th April 1976

TITLE IC MOUNTING PAD
 (FOR TO-100 DEVICES)