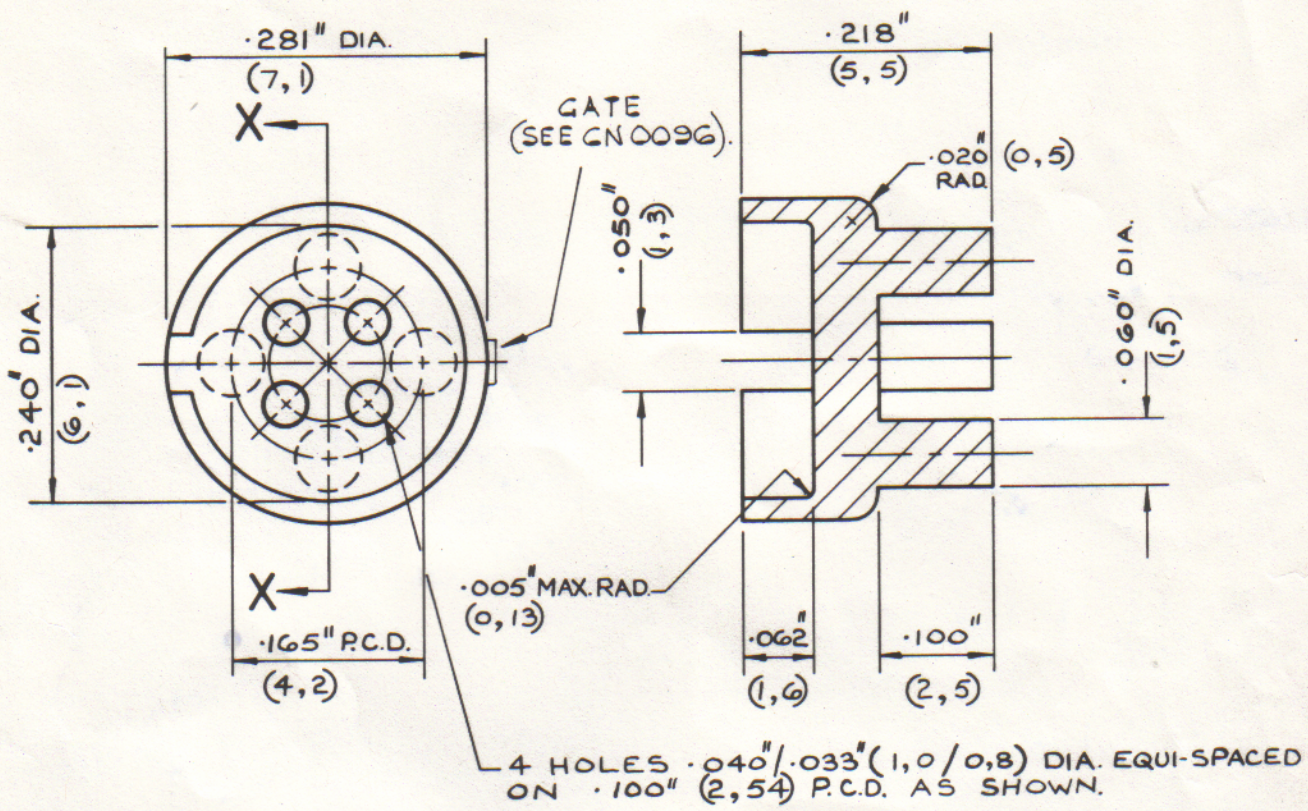


DRG. No.  
A 18-1006.

FOR EXPLANATION OF DIMENSIONING, ETC. SEE B.S.308  
REMOVE ALL BURRS & SHARP EDGES.  
A RADIUS OR CHAMFER .02 (MAX.) IS PERMITTED IN CORNERS  
OF BLIND HOLES, RECESSES & STEPS.

THIRD ANGLE PROJECTION

Type No	Ref No	Material
T08-006D	J18-1006D	A1406.



SECTION X X

DATE	CHANGES		REMOVE ALL MOULDING FLASH.	
2-6-71	A	RE-DRAWN & METRIC ADDED.	TOLERANCE ±.005" (0,13)	DRAWN B. LANE.
14-1-77	B	MATERIAL AMENDED.	MATERIAL	TRACED
14,3,78	C	Drwg No was A1079. Ref Pt No added. <i>EM</i>		CHECKED
4.1.79	D	CNN° 0096. <i>RN</i>		DATE 2-6-71
<u>TITLE</u>		TRANSISTOR MOUNTING PAD.	SCALE: 4-1	DRG. No.
			DIMS. INCHES (mm)	A18-1006.

**JERMYN INDUSTRIES** VESTRY ESTATE, OTFORD, NR. SEVENOAKS, KENT.

A SIZE.